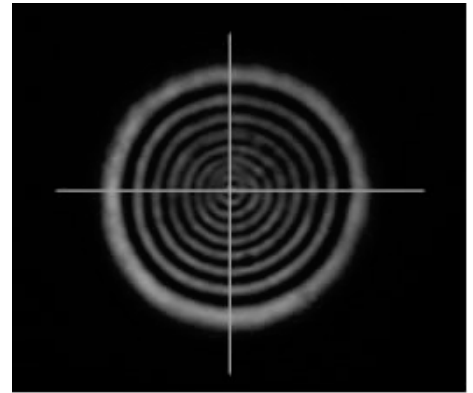


Physics Department Seminar

Friday March 10th, 2006

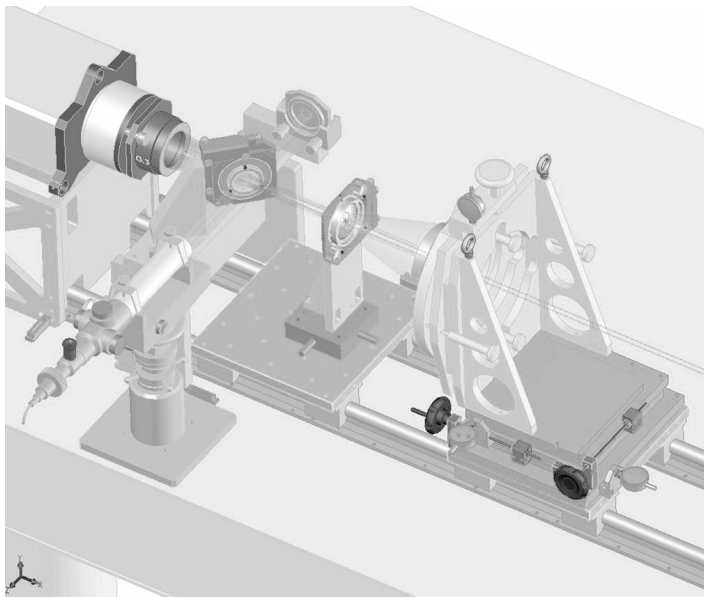
11:00am in PhSc 105

“Techniques in Optical Testing and Alignment”



Mr. Titus Roff

Optical Engineer
Tinsley Laboratories



Abstract:

Optical testing is not for the faint of heart. It takes a firm background in physics, geometry, mathematics, and engineering to successfully problem solve test setups and optical alignment. We will discuss some of the tools and techniques for moving through these processes, and hopefully see examples of how our background knowledge of physics can be applied.